

Rebris S

Single lever basin mixer for concealed installation wall-mounted with spout 20 cm

Finish: **Chrome** Article Number: **72528000**



Description

product features

- consists of: single lever basin mixer for concealed installation wall-mounted, waste set
- projection: 200 mm
- handle variant: lever handle
- spray type: normal spray
- maximum flow rate at 3 bar: 5 l/min
- ceramic cartridge
- temperature limitation adjustable
- suitable for continuous flow water heaters
- non-closing waste set
- material waste set: metal
- connection type: basic set
- connection dimension: DN15
- handle can be positioned on the right or left, depending on the basic set installation
- EU taxonomy: max. 6 l/min - Substantial Contribution (SC) possible

Technology



Design awards



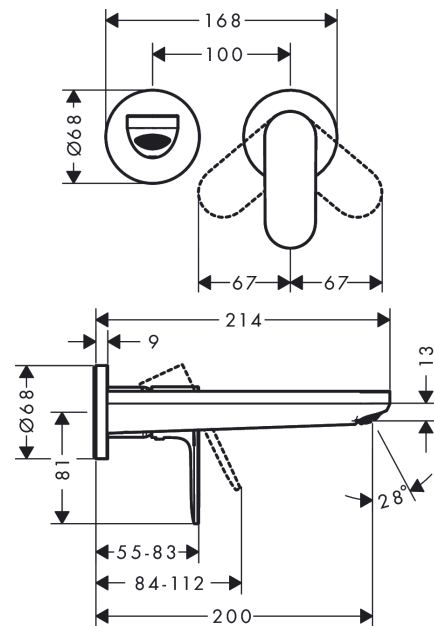
reddot winner 2022



Product image



Scale drawing



Rebris S

Single lever basin mixer for concealed installation wall-mounted with spout 20 cm

Finish: **Chrome** Article Number: **72528000**



Flowchart



Rebris S

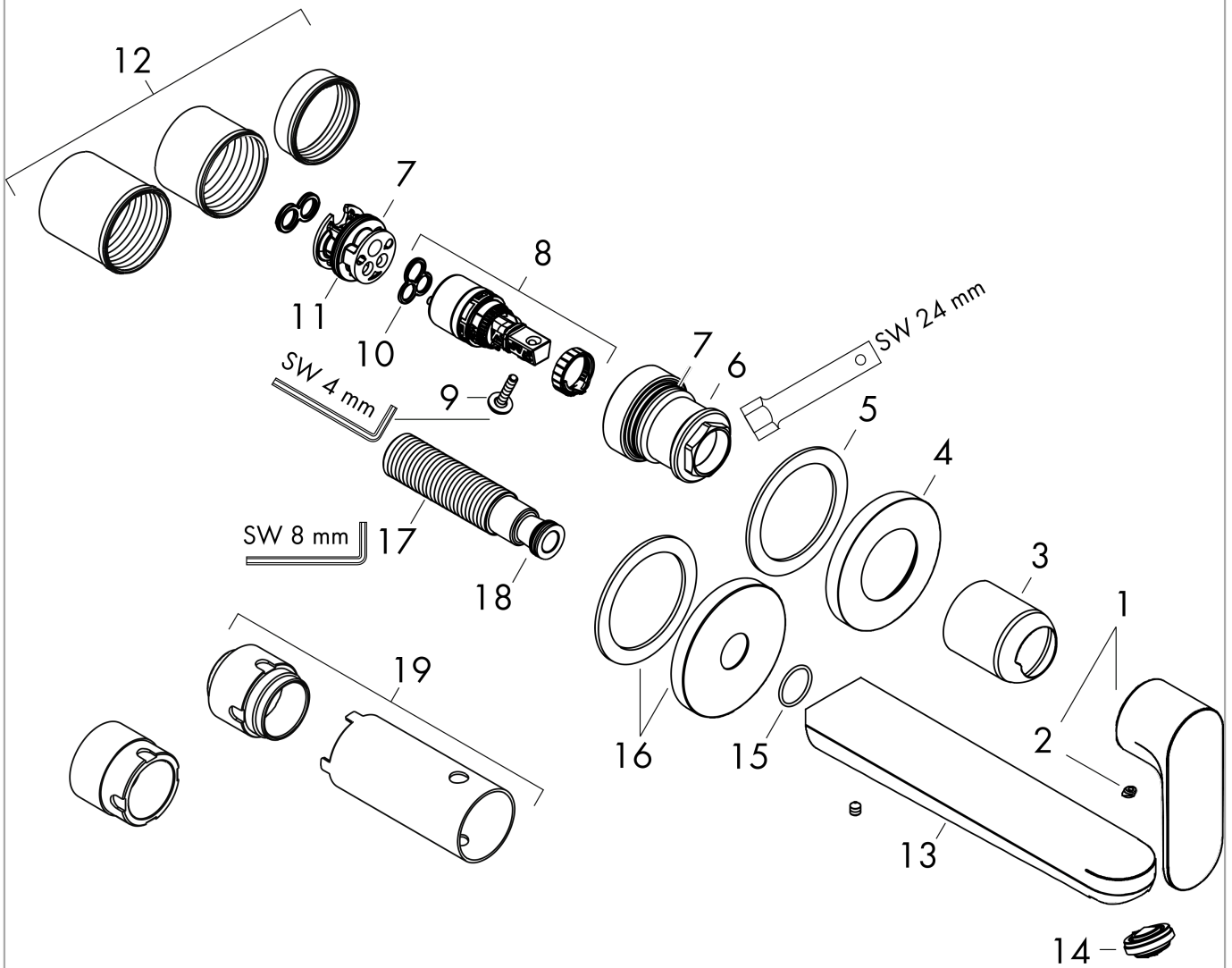
Single lever basin mixer for concealed installation wall-mounted with spout 20 cm

Finish: **Chrome** Article Number: **72528000**



Exploded Drawing

Year of production: >06/22



Rebris S

Single lever basin mixer for concealed installation wall-mounted with spout 20 cm

Finish: **Chrome** Article Number: **72528000**



Spare part list

Year of production: >06/22

Pos.	Description	Article Number	PC	PU
1	handle	94648000	10	1
2	screw cover	96338000	1	1
3	sleeve	93053000	9	1
4	escutcheon Ø 68 mm	93052000	8	1
5	washer	97600000	4	1
6	nut	93141000	9	1
7	O-ring 26x2	98147000	1	1
8	cartridge, assy	95973001	12	1
9	locking screw for handle	95140000	2	1
10	seal	98865000	8	1
11	adapter for cartridge	95634000	4	1
12	fixing set	97971000	9	1
13	spout 220 mm	94649000	14	1
14	aerator M24x1 (5 l/min)	94364000	3	1
15	O-ring 18x1,5	98231000	1	1
16	escutcheon for spout	93987000	12	1
17	connecting thread G½	95626000	10	1
18	O-ring 13x2	98128000	1	1
19	extension set 25 mm for 13622180	31971000	98	1
a	base body	13622180	98	1
b	waste	50001000	98	1
c	adapter for exchanged connections	93819000	16	1