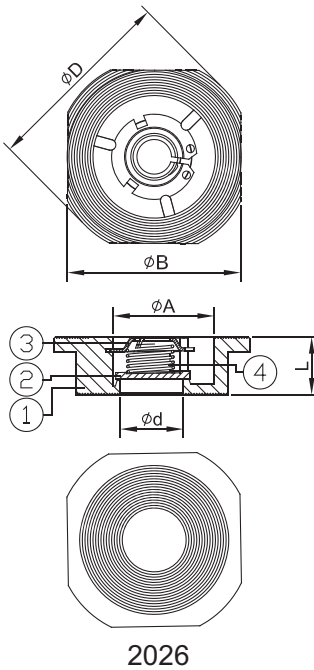
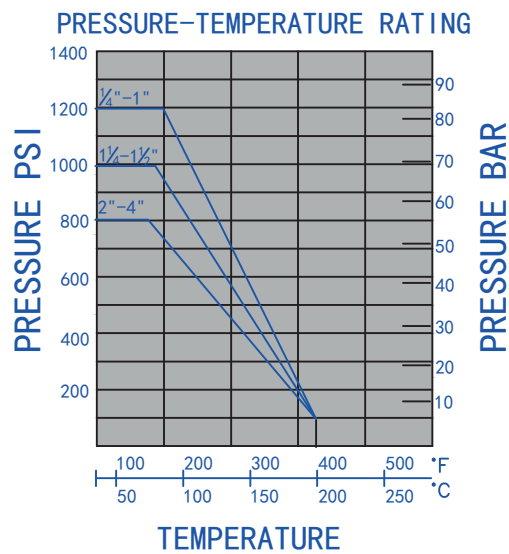


FIG2026LE

Disc Check valve



NO.	PART NAME	MATERIAL
1	BODY	CF8/CF8M
2	DISC	CF8/CF8M
3	SPRING	S201/S304
4	CAP	CF8/CF8M



SIZE	1/2"	3/4"	1"	1 1/4"	1 1/2"	2"	2 1/2"	3"	4"	5"	6"	8"
DN	15	20	25	32	40	50	65	80	100	125	150	200
D	14	19	24	30	38	46	62	78	96	118	142	175
D1	52	62	72	83	93	106	125	143	163	195	220	273
L	22	24	26	30	32	40	46	50	60	78	95	105